

Technical data

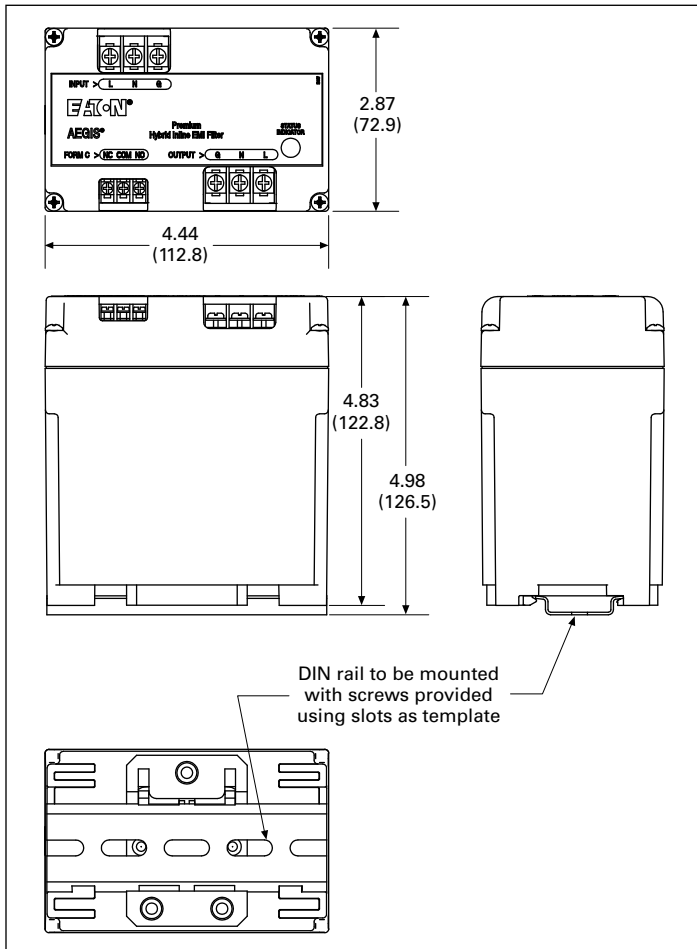


Figure 1. AGPHxxxx dimensions

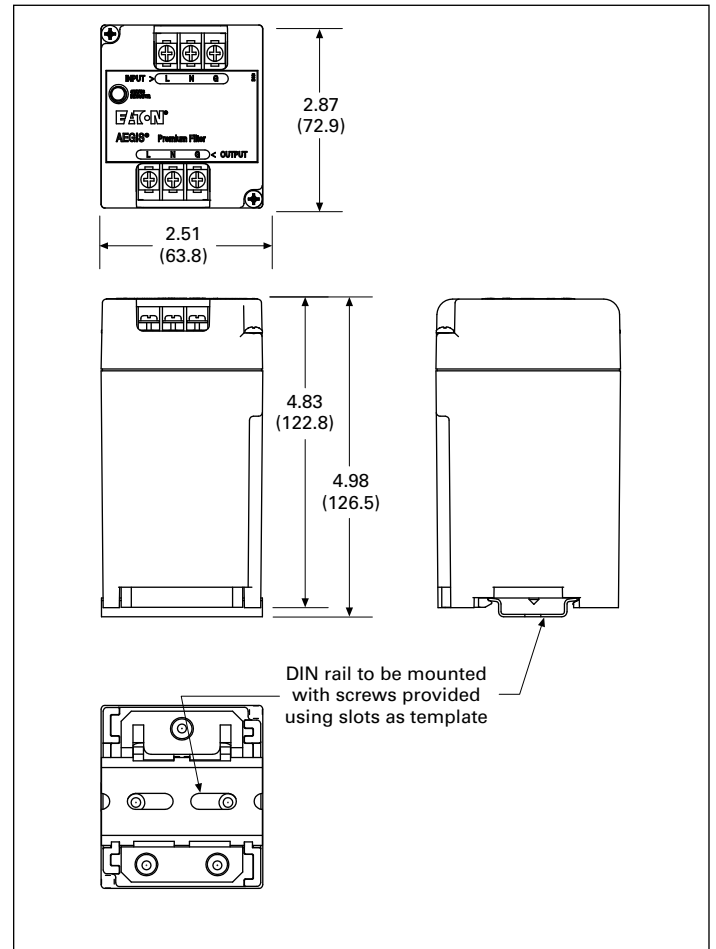


Figure 2. AGPVxxxx dimensions

Table 1. AEGIS PH and PV specifications

| Specification | PH 120 Vac | PH 240 Vac | PV 120 Vac | PV 240 Vac |
|--|--------------------|--------------------|-------------|-------------|
| | 3, 5, 10, 15, 20 A | 3, 5, 10, 15, 20 A | 1, 3, 5 A | 1, 3, 5 A |
| DIN mounting | Yes | Yes | Yes | Yes |
| UL 1283 5th Edition and UL 1449 4th Edition | Yes | Yes | Yes | Yes |
| Filtering | Yes | Yes | Yes | Yes |
| EMI/RFI filtering attenuation at 100 kHz | 75 dB | 75 dB | 50 dB | 50 dB |
| L-G, L-N, and N-G protection modes | Yes | Yes | Yes | Yes |
| Peak kA per phase/mode | 60/30 | 60/30 | 40/20 | 40/20 |
| UL nominal discharge current (I _n) | 5 kA | 5 kA | 5 kA | 5 kA |
| UL voltage protection rating (VPR) L-G / L-N / N-G | 330/400/330 | 600/700/600 | 330/400/330 | 600/700/600 |
| MCOV | 150 | 275 | 150 | 275 |
| Short-circuit current rating (SCCR) | 5 kA | 5 kA | 5 kA | 5 kA |
| Alarm contacts | Yes | Yes | No | No |
| Warranty (years) ① | 15 | 15 | 15 | 15 |
| Communication line protection (UL 497A) | No | No | No | No |

① With product registration.

AEGIS CF

The AEGIS Series CF devices provide the widest current ratings with line filtering and surge protection, and are available with optional communication line protection and status contacts.

The AEGIS CF can be used where:

- Higher kA of protection is required
- Good filtering of electromagnetic interference (EMI) and radio frequency interference (RFI) is desired
- Communication line protection is needed
- 120/230/240 Vac or 24/48 Vdc circuits up to 60 A are to be protected

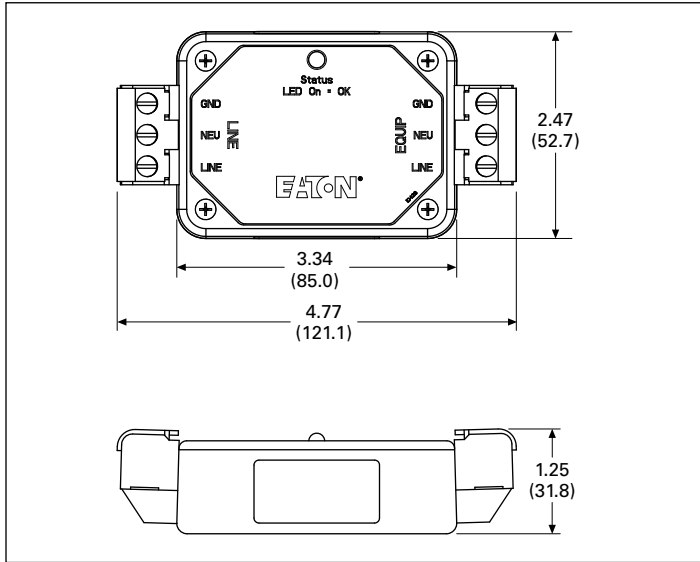


Figure 3. AGCF12010-CP dimensions

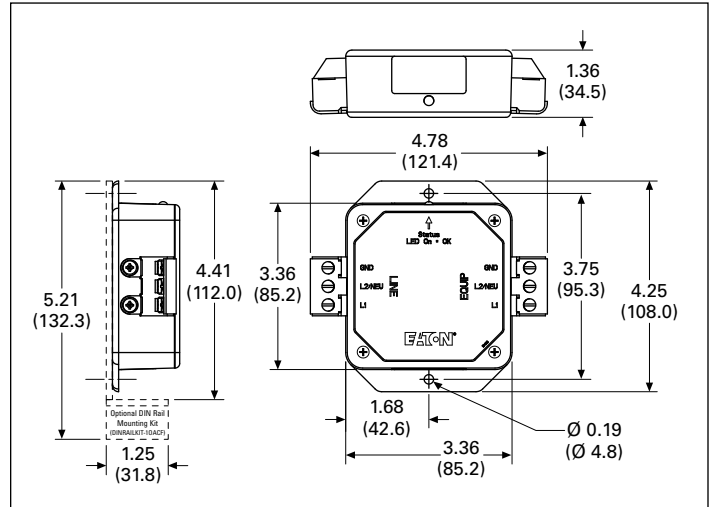


Figure 4. xxCFFxxx10 dimensions

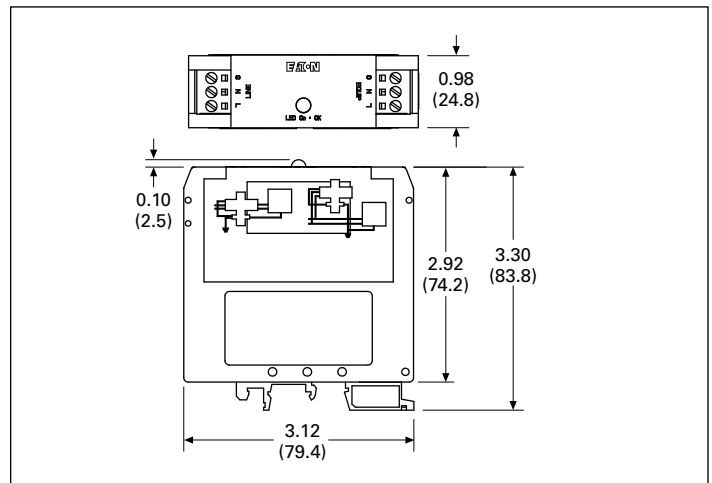


Figure 5. AGCFxxx10-DIN and AGCFxxx10-DIN2 dimensions

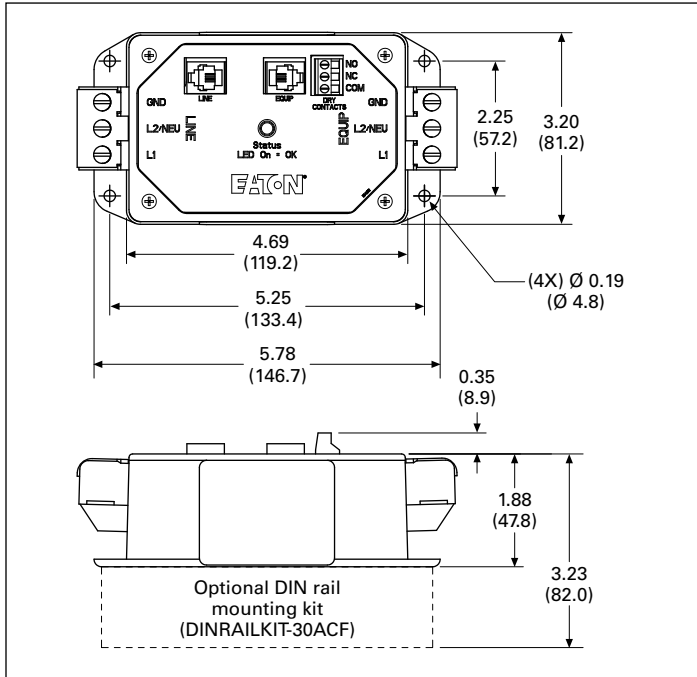


Figure 6. AGCFxxx15 and AGCFxxx30 dimensions

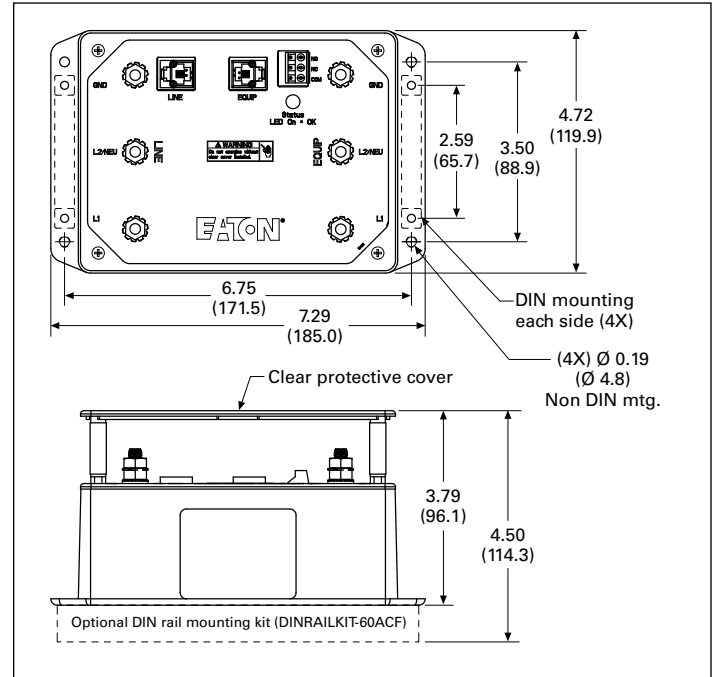


Figure 7. AGCFxxx60 dimensions

Table 2. AEGIS CF specifications

| Specifications | CF 24 Vdc | | CF 48 Vdc | | CF 120 Vac | | | | CF 230 Vac | | | CF 240 Vac |
|--|-----------|-------|-----------|-------|-------------|-------------|-------------|-------------|-------------|-------------|-------------|-------------|
| | 10 A | 10 A | 10 A | 10 A | 10 A | 10 A | 30 A | 60 A | 15 A | 30 A | 60 A | 10 A |
| DIN mounting | Yes | No | Yes | No | Yes | No | Yes ① | Yes ① | Yes ① | Yes ① | Yes ① | Yes |
| UL 1283 5th Edition and UL 1449 4th Edition | — | — | — | — | Yes | Yes | Yes | Yes | — | Yes | Yes | Yes |
| IEC 61000-4.5 | Yes | Yes | Yes | Yes | Yes | Yes | Yes | Yes | — | — | — | Yes |
| Filtering | Yes | Yes | Yes | Yes | Yes | Yes | Yes | Yes | — | Yes | Yes | Yes |
| EMI/RFI filtering attenuation at 100 kHz | 40 dB | 40 dB | 40 dB | 40 dB | 40 dB | 40 dB | 40 dB | 40 dB | 40 dB | 40 dB | 40 dB | 40 dB |
| L-G, L-N, and N-G protection modes | Yes | Yes | Yes | Yes | Yes | Yes | Yes | Yes | Yes | Yes | Yes | Yes |
| Peak kA per phase/mode | 6/2 | 6/2 | 20/6 | 20/6 | 30/10 | 40/20 | 80/40 | 80/40 | 120/60 | 120/60 | 120/60 | 30/10 |
| UL nominal discharge current (I _n) | N/A | N/A | N/A | N/A | 3 kA | 5 kA | 5 kA | 5 kA | 3 kA | 3 kA | 3 kA | 3 kA |
| UL voltage protection rating (VPR) L-G / L-N / N-G | N/A | N/A | N/A | N/A | 500/500/500 | 500/500/500 | 500/500/500 | 500/500/500 | 800/800/800 | 800/800/800 | 800/800/800 | 990/980/960 |
| MCOV | 30 | 30 | 50 | 50 | 150 | 150 | 150 | 150 | 275 | 275 | 275 | 275 |
| Short-circuit current rating (SCCR) | 10 kA | 10 kA | 10 kA | 10 kA | 10 kA | 10 kA | 10 kA | 10 kA | 10 kA | 10 kA | 10 kA | N/A |
| Alarm contacts | No | No | No | No | No | No | Yes ① | Yes ① | No | Yes ① | Yes ① | No |
| Warranty (years) ② | 10 | 10 | 10 | 10 | 10 | 10 | 10 | 10 | 10 | 10 | 10 | 10 |
| Communication line protection (UL 497A) | No | No | No | No | No | No | Yes ① | Yes ① | No | Yes ① | Yes ① | No |

① Optional.

② With product registration.

AEGIS CN

The AEGIS CN Series provides low-cost surge protection in a compact package.

The AEGIS CN can be used where:

- Only surge and transient voltage protection is needed
- 120/230 Vac or 24/48 Vdc circuits up to 30 A are to be protected

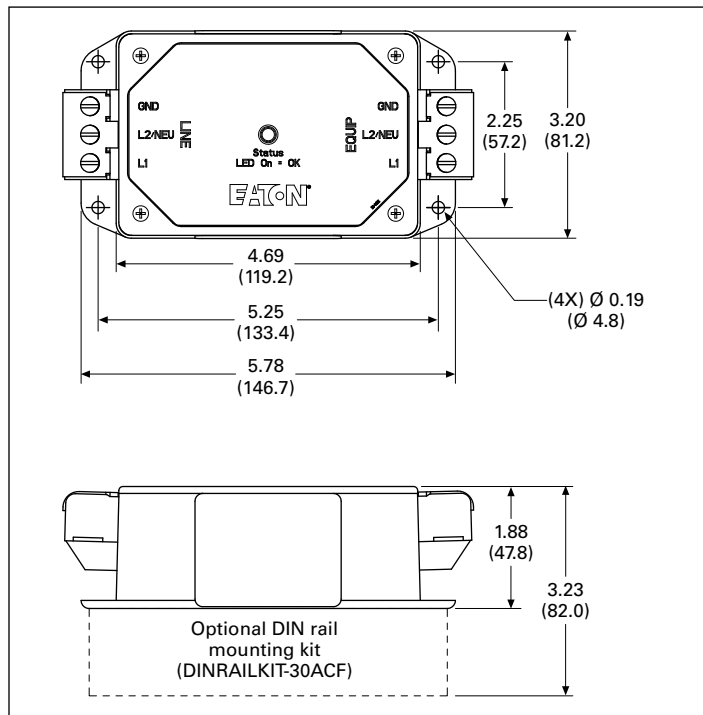


Figure 8. AGCNxxx30 dimensions

Table 3. AEGIS CN specifications

| | 24 Vdc | 48 Vdc | 120 Vac | 230 Vac |
|--|--------|--------|-------------|-------------|
| Specifications | 30 A | 30 A | 30 A | 30 A |
| DIN mounting | Yes ① | Yes ① | Yes ① | Yes ① |
| UL 1449 4th Edition | — | — | Yes | — |
| Filtering | No | No | No | No |
| L-G, L-N, and N-G protection modes | Yes | Yes | Yes | Yes |
| Peak kA per phase/mode | 20/6 | 46/20 | 80/40 | 80/40 |
| UL nominal discharge current (I _n) | N/A | N/A | 5 kA | 3 kA |
| UL voltage protection rating (VPR) L-G / L-N / N-G | N/A | N/A | 500/500/500 | 800/800/800 |
| MCOV | 30 | 50 | 150 | 275 |
| Short-circuit current rating (SCCR) | 10 kA | 10 kA | 10 kA | 10 kA |
| Alarm contacts | No | No | No | No |
| Warranty (years) ② | 10 | 10 | 10 | 10 |
| Communication line protection (UL 497A) | No | No | No | No |

① Optional

② With product registration.